

For DALI applications using
International Rectifier IR21592
and STMicroelectronics L6561D

Magnetics for IR Dimming Ballast IC

These transformers have been specially engineered for International Rectifier's IRPLDIM2 Digitally Addressable DALI Dimming Ballast reference design.

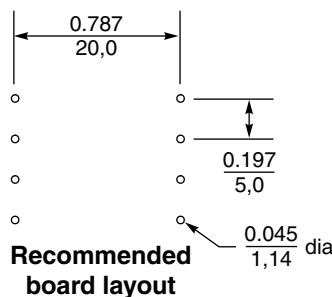
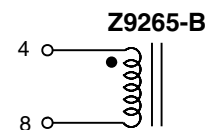
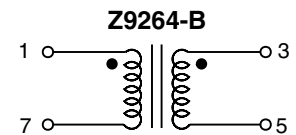
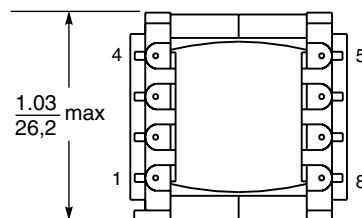
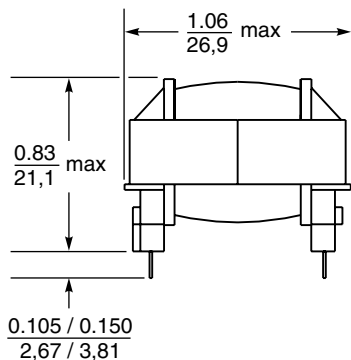
The Z9265-B (L3) is optimized for International Rectifier's IR21592 HVIC ballast controller IC while the Z9264-B

(L2) is designed for use with the STMicroelectronics PFC L6561D.

Free evaluation samples are available by contacting Coilcraft.

Application	Part number	Inductance $\pm 10\%$ ¹ (mH)	DCR max (Ohms)	Isolation pri : sec (Vrms)	Turns ratio pri : sec
PFC inductor (L2)	Z9264-B	2.0	1.45 (1-7) 0.230 (3-5)	500 (1-3)	1 : 0.10
Inductor (L3)	Z9265-B	2.0	1.57 (4-8)	N/A	N/A

1. Inductance tested 50 kHz, 1.0 Vrms, 0 Adc.
2. Operating temperature range -40°C to +85°C.
3. Electrical specifications at 25°C.



Weight: 28.3 – 28.7 g

Coilcraft[®]

Specifications subject to change without notice. Document 270 Revised 07/19/06

1102 Silver Lake Road Cary, Illinois 60013 Phone 847/639-6400 Fax 847/639-1469

E-mail info@coilcraft.com Web <http://www.coilcraft.com>