



Planar Magnetics

For Texas Instruments
UCC3580



This planar transformer and planar inductor pair is designed specifically for the Texas Instruments UCC3580 family of PWM controllers.

The B0392-A transformer is engineered for use in single switch, forward topologies operating at 300 kHz. It is ideal for use in high-current telecom power supply applications that require high efficiency in a low-profile package.

The main winding of the B0430-A inductor serves as an output choke, while the auxiliary winding controls input current to the PWM.

Request free evaluation samples by contacting Coilcraft or visiting www.coilcraft.com.

Transformer

| Part number ¹ | Output power (W) | Output voltage (V) | Output current (A rms) | Primary inductance ² min (μH) | Leakage inductance ³ max (μH) | DCR max (mOhms) | Pri/sec isolation (Vdc) |
|--------------------------|------------------|--------------------|------------------------|--|--|---------------------------------|-------------------------|
| B0392-AL_ | 100 | 3.3 | 30.0 | 65.0 | 0.22 | Primary: 13.5 Secondary: 0.4 | 1500 |

1. When ordering, please specify **packaging** code:

B0392-AL D

Packaging: D = 13" machine ready reel. EIA-481 embossed plastic tape (200 parts per full reel).

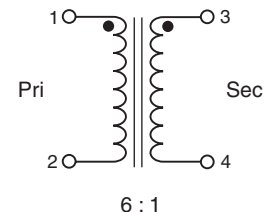
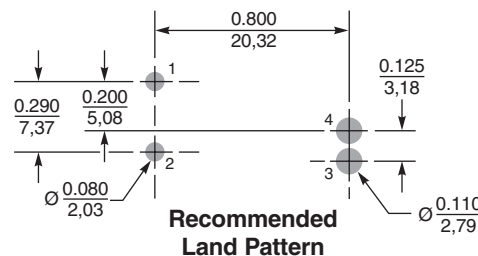
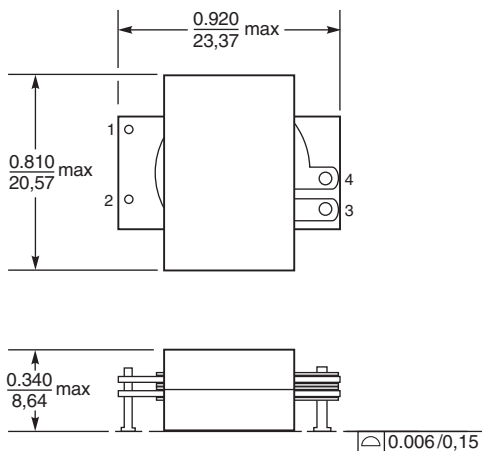
B = Less than full reel. In tape, but not machine ready. To have a leader and trailer added (\$25 charge), use code letter D instead.

2. Inductance measured on an Agilent/HP 4284 between pins 1 and 2 at 250 kHz, 0.1 Vrms, 0 Adc.

3. Leakage inductance measured between pins 1 and 2 at 100 kHz, 0.1 Vrms, 0 Adc with secondary pins shorted.

4. Storage and ambient operating temperature range: -40°C to +85°C.

5. Electrical specifications at 25°C.



Terminations: Matte-tin over nickel over brass
Tape and reel: 200/13" reel 44 mm tape width

Coilcraft®

Specifications subject to change without notice.
Please check our website for latest information.

Document 357-1 Revised 11/07/05

1102 Silver Lake Road Cary, Illinois 60013 Phone 847/639-6400 Fax 847/639-1469

E-mail info@coilcraft.com Web <http://www.coilcraft.com>



Planar Magnetics for Texas Instruments UCC3580

Output Inductor

| Part number ¹ | Inductance ² @ 0 Adc (μ H) | I rated Adc | DCR max (mOhms) | Isolation ³ (Vdc) | Isat ⁴ (A) | Irms ⁵ (A) |
|--------------------------|--|----------------|--------------------------|---------------------------------|--------------------------|--------------------------|
| B0434-AL_ | 2.0 \pm 10% | 30 | Main: 1.9 Aux: 1450.0 | 1100 | 38 | 36 |

1. When ordering, please specify **packaging** code:

B0434-ALD

Packaging: D = 13" machine ready reel. EIA-481 embossed plastic tape (200 parts per full reel).

B = Less than full reel. In tape, but not machine ready. To have a leader and trailer added (\$25 charge), use code letter D instead.

2. Inductance measured on an Agilent/HP 4284 between pins 3 and 4 at 10 kHz, 0.1 Vrms.

3. Isolation measured from pin 1 to pin 3.

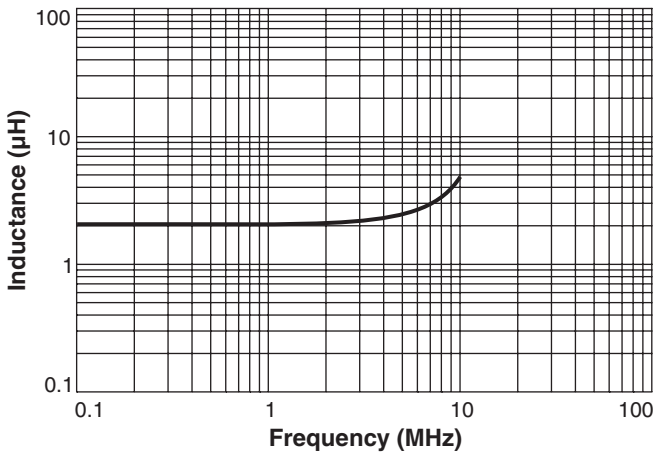
4. DC current at which inductance drops 10% (typ) from its value without current.

5. Average current for a 40°C rise above 25°C ambient.

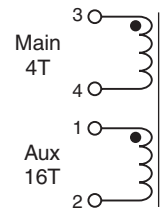
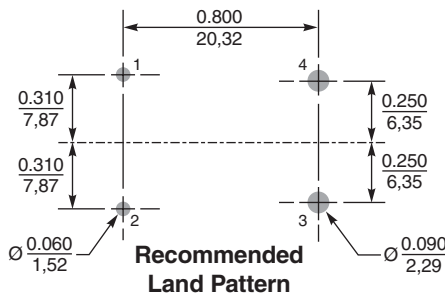
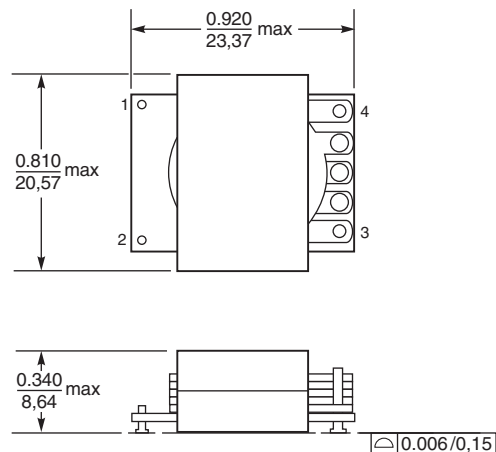
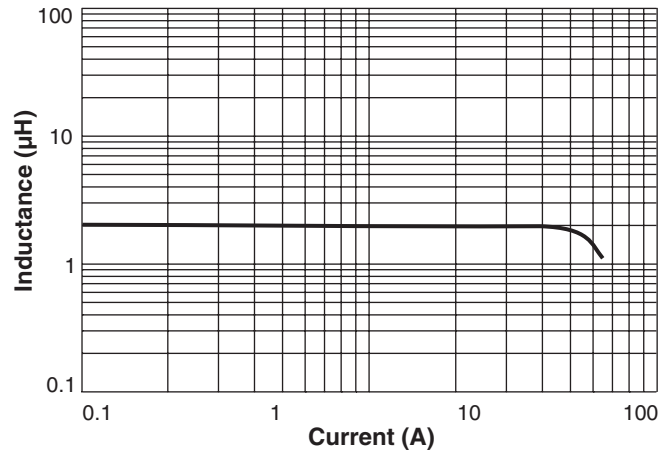
6. Storage and ambient operating temperature range: -40°C to +85°C.

7. Electrical specifications at 25°C.

Typical L vs Frequency



Typical L vs Current



Terminations: Matte-tin over nickel over brass
Tape and reel: 200/13" reel 44 mm tape width



Specifications subject to change without notice.
 Please check our website for latest information.

Document 357-2 Revised 11/07/05

1102 Silver Lake Road Cary, Illinois 60013 Phone 847/639-6400 Fax 847/639-1469

E-mail info@coilcraft.com Web <http://www.coilcraft.com>