

**NEW!**

Power Filter Inductor

For Zetex ZXCD1000
500 W Class D Solution

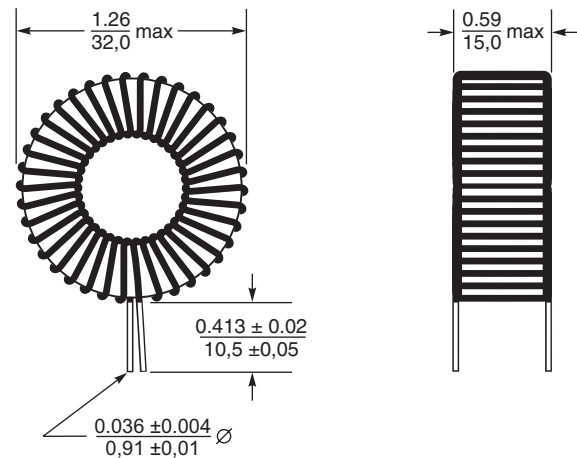


This toroidal choke was developed for Zetex Semiconductors ZXCD1000 High Fidelity Class D Amplifier Solution. This application provides 500 Wrms into 4 Ohms. The ED0006-AL is the low pass filter for the high frequency switching PWM signal, enabling recovery of the lower frequency audio signal.

Request free evaluation samples by contacting Coilcraft or visiting www.coilcraft.com.

Part number	Inductance $\pm 20\%$ ¹ (μH)	DCR max ² (mOhms)	SRF min (MHz)	Isat ³ (A)	Irms (A) ⁴	
					20°C rise	40°C rise
ED0006-AL	20	42	13	36.0	5.1	7.2

- Inductance measured at 100 kHz, 100 mVrms, 0 Adc using an Agilent/HP 4132 impedance analyzer.
- DCR measured on a Valhalla 4105 ATC digital ohmmeter.
- DC current at which the inductance drops 10% (typ) from its value without current.
- Current that causes the specified temperature rise from 25°C ambient.
- Ambient temperature range:** -40°C to +125°C with Irms current
+125°C to +165°C with derated current
- Storage temperature range:** Component: -40°C to +165°C
Packaging: -55°C to +80°C.
- Electrical specifications at 25°C.



Weight: 30.8 g
Terminations: Tin-silver over copper
Packaging: 25 per tray

Coilcraft®

Specifications subject to change without notice.
Please check our website for latest information. Document 565-1 Revised 10/10/07

1102 Silver Lake Road Cary, Illinois 60013 Phone 847/639-6400 Fax 847/639-1469

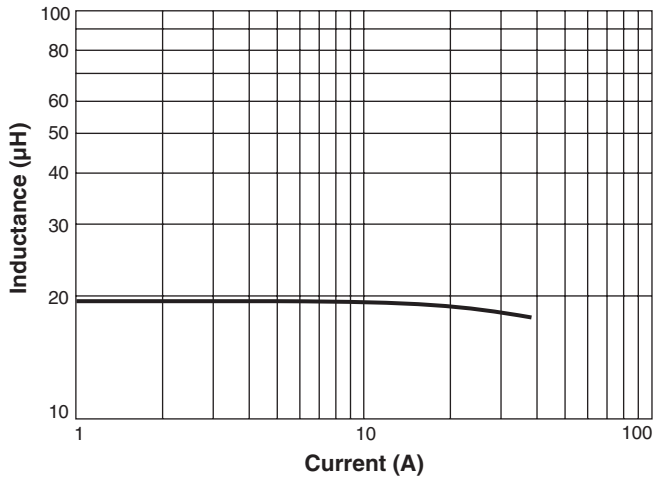
E-mail info@coilcraft.com Web <http://www.coilcraft.com>



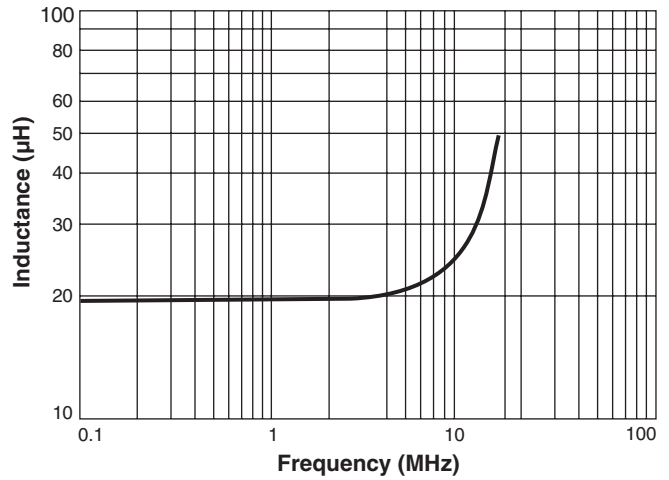
NEW!

Power Filter Inductor – ED0006-AL

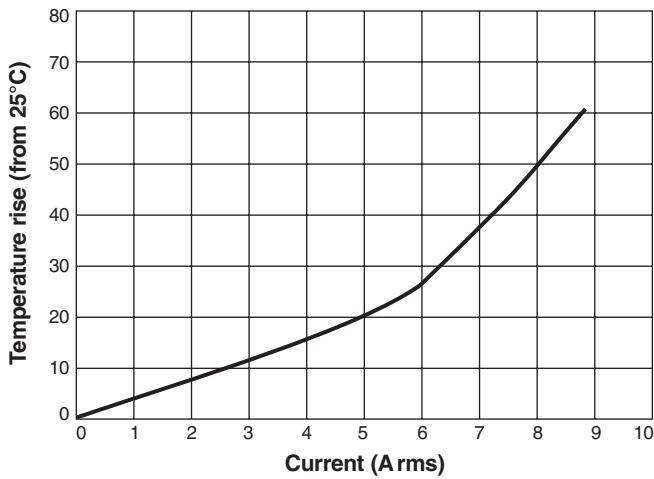
L vs Current



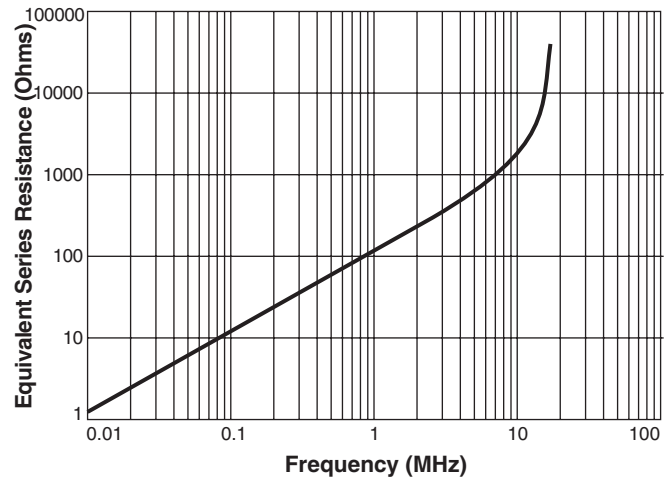
L vs Frequency



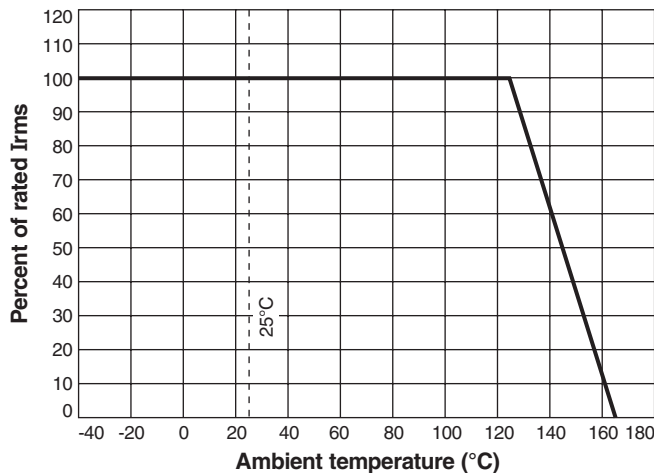
Temperature Rise vs Current



ESR vs Frequency



Irms Derating



Coilcraft®

Specifications subject to change without notice.
Please check our website for latest information. Document 565-2 Revised 10/10/07

1102 Silver Lake Road Cary, Illinois 60013 Phone 847/639-6400 Fax 847/639-1469

E-mail info@coilcraft.com Web <http://www.coilcraft.com>