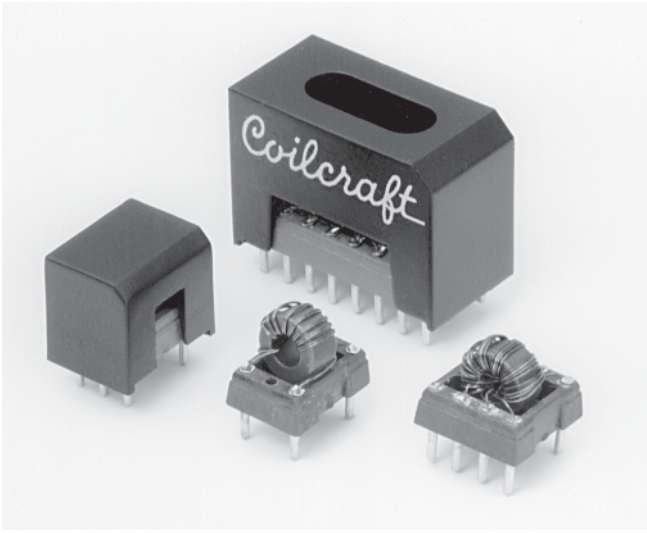




Data Line EMI Filters – Leaded



These filters are designed to virtually eliminate conducted EMI in data line applications. They provide exceptional common mode noise reduction from 5 MHz to 300 MHz while passing signal line data frequencies below 200 MHz with minimal attenuation.

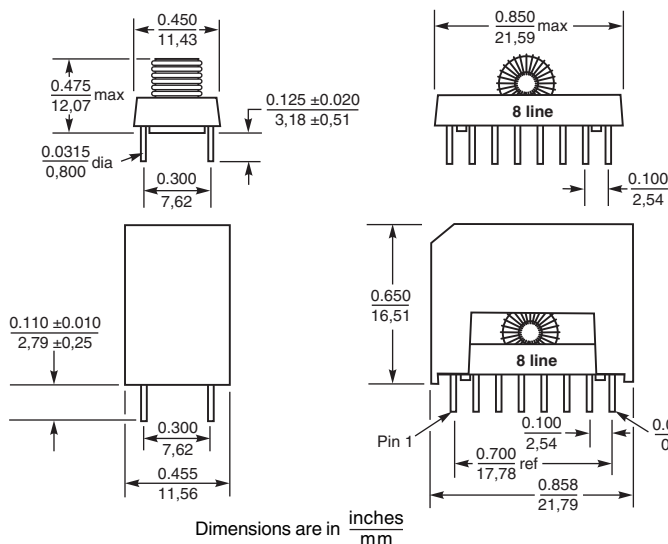
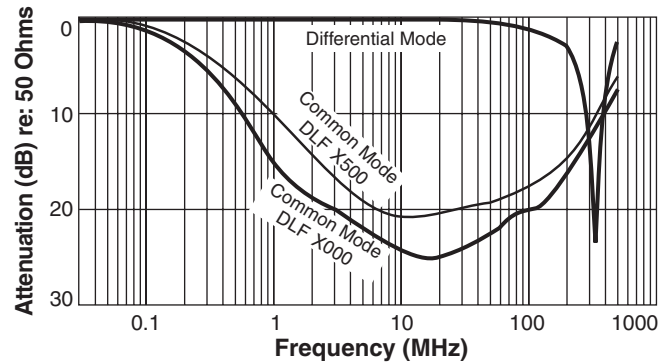
These low resistance filters feature excellent electrical isolation, environmental stability and low cost. Optional covers make them auto insertable. They also meet IEC 695-2-2 needle flame test requirements. There are 8, 4, 3 and 2-line versions with DC current capacity of 100 mA (DLF X000 series) or 500 mA (DLF X500 series).

Coilcraft **Designer's Kit D303** contains four samples of all values shown plus samples of our PDLF and CCDLF surface mount filters. To order, contact Coilcraft or visit <http://order.coilcraft.com>.

Part number ¹	Lines	Current max (mA)	L/winding (µH)	DCR max (mOhms)	Isolation (Vrms)
DLF 8000L	8	100	28	100	300
DLF 8500L	8	500	25	45	300
DLF 4000L	4	100	28	100	300
DLF 4500L	4	500	24	45	300
DLF 3000L	3	100	28	100	300
DLF 3500L	3	500	24	45	300
DLF 2000L	2	100	28	100	300
DLF 2500L	2	500	24	45	300

- For optional cover add "C" to part number just before the "L": e.g. DLF 8500CL. Not available on 3500, 4000 and 4500 parts.
- Operating temperature range -40°C to +85°C.
- Electrical specifications at 25°C.

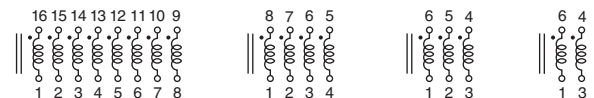
Typical Response (measured on an HP 8753D network analyzer.)



Terminations: Tin-silver over tin over phos bronze

Weight:

- DLF2000: 0.74 g; DLF2500: 0.78 g
- DLF3000: 0.83 g; DLF3500: 0.91 g
- DLF4000: 0.95 g; DLF4500: 1.09 g
- DLF8000: 1.56 g; DLF8500: 2.22 g



Specifications subject to change without notice. Please check our website for latest information.

Document 149 Revised 10/04/07

1102 Silver Lake Road Cary, Illinois 60013 Phone 847/639-6400 Fax 847/639-1469

E-mail info@coilcraft.com Web <http://www.coilcraft.com>