



**NEW!**

# Flyback Transformer

For Maxim MAX5941A  
PoE Interface/PWM Controller



- Dual-output continuous-current flyback transformer
- Operates with 32 – 56 Volts input
- 1500 Vrms isolation between the primary and the secondary

**Core material** Ferrite

**Terminations** RoHS tin-silver over tin over nickel over phos bronze. Other terminations available at additional cost.

**Weight** 4.9 g

**Ambient temperature** -40°C to +125°C

**Storage temperature** Component: -40°C to +125°C.  
Packaging: -55°C to +80°C

**Resistance to soldering heat** Max three 40 second reflows at +260°C, parts cooled to room temperature between cycles

**Moisture Sensitivity Level (MSL)** 1 (unlimited floor life at <30°C / 85% relative humidity)

**Mean Time Between Failures (MTBF)** 26,315,789 hours

**Packaging** 200 per 13" reel Plastic tape: 44 mm wide, 0.35 mm thick, 28 mm pocket spacing, 9.6 mm pocket depth

**PCB washing** Only pure water or alcohol recommended

Part number <sup>1</sup>	Inductance at 0 A <sup>2</sup> ±10% (µH)	Inductance at I <sub>pk</sub> <sup>3</sup> min (µH)	DCR max (Ohms)					Leakage inductance <sup>4</sup> max (µH)	Turns ratio N <sub>1</sub> : N <sub>2</sub> : N <sub>3</sub> : N <sub>4</sub> : N <sub>5</sub>	I <sub>pk</sub> <sup>3</sup> (A)
			N <sub>1</sub>	N <sub>2</sub>	N <sub>3</sub>	N <sub>4</sub>	N <sub>5</sub>			
C1154-BL_	255.0	229.5	0.335	0.020	0.017	0.200	0.745	5.0	1:0.1:0.075:0.125:0.425	0.25

1. When ordering, please specify **packaging** code:

**C1154-BL D**

**Packaging:** **D** = 13" machine ready reel. EIA-481 embossed plastic tape (200 parts per full reel).

**B** = Less than full reel. In tape, but not machine ready. To have a leader and trailer added (\$25 charge), use code letter D instead.

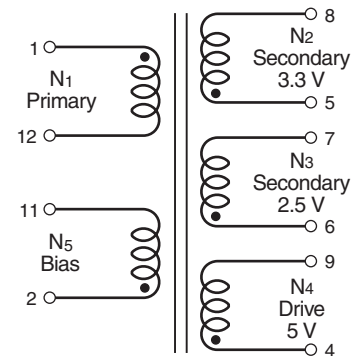
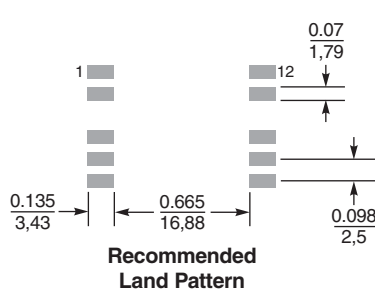
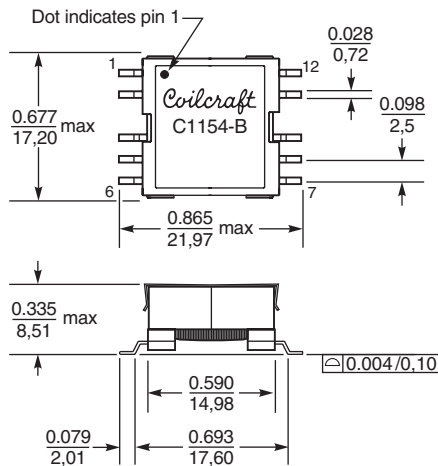
2. Inductance is measured at 275 kHz, 1.0 Vrms.

3. Peak primary current drawn at minimum input voltage.

4. Leakage inductance is for the primary winding with the secondary windings shorted.

5. Electrical specifications at 25°C.

Refer to Doc 362 "Soldering Surface Mount Components" before soldering.



Specifications subject to change without notice.  
Please check our website for latest information.

Document 457 Revised 10/10/07

1102 Silver Lake Road Cary, Illinois 60013 Phone 847/639-6400 Fax 847/639-1469

E-mail [info@coilcraft.com](mailto:info@coilcraft.com) Web <http://www.coilcraft.com>