

**NEW!**

PFC Coils

For ON Semiconductor NCP1653
Power Factor Controller



These coils were developed specifically for use with the ON Semiconductor NCP1653 Power Factor Controller (PFC) for driving continuous conduction mode step-up pre-converters.

The C1061-A operates in 150 Watt applications. The C1062-B operates in 300 Watt applications and is specified by ON Semiconductor in application note AND8185/D.

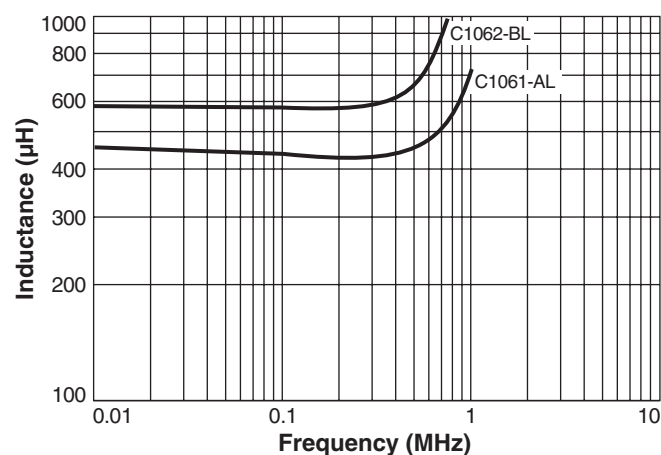
In addition to the standard parts shown, Coilcraft can design custom magnetics with inductance, DCR and current values to meet your specific requirements. For more information, contact Coilcraft.

To request free evaluation samples of these coils, contact Coilcraft or visit www.coilcraft.com.

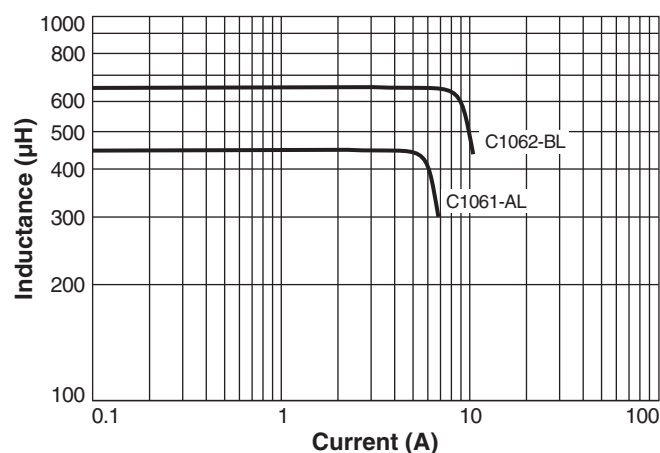
Part number	Application	Inductance ¹ ±10% (µH)	Inductance at I _{pk} min (µH)	I _{pk} (A)	DCR max ² (Ohms)	SRF (MHz)	I _{rms} ³ (A)
C1061-AL	150 W	450	405	4.5	0.166	1.4	3.80
C1062-BL	300 W	570	540	6.0	0.226	1.0	3.55

1. Inductance measured at 100 kHz, 0.1 V, 0 Adc using an Agilent/HP 4284A impedance analyzer.
2. DCR measured on Cambridge Technology micro-ohmmeter and Coilcraft CCF858 test fixture.
3. Average current for a 40°C rise above 25°C ambient.
4. Operating temperature range -40°C to +125°C.
5. Electrical specifications at 25°C.

Typical Inductance vs Frequency



Typical Inductance vs Current



Coilcraft®

Specifications subject to change without notice.
Please check our website for latest information.

Document 444-1 Revised 08/03/07

1102 Silver Lake Road Cary, Illinois 60013 Phone 847/639-6400 Fax 847/639-1469

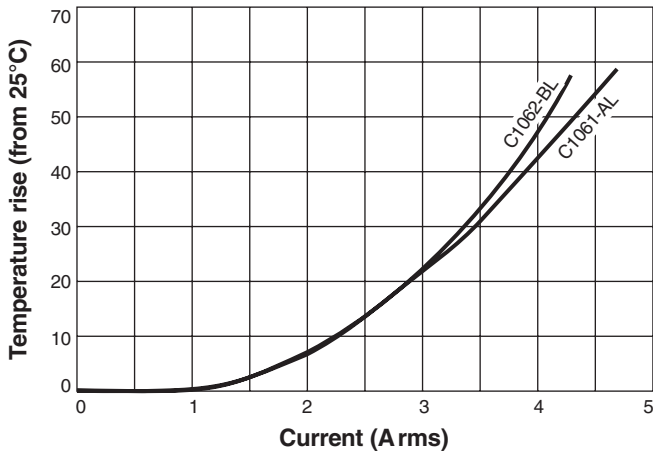
E-mail info@coilcraft.com Web <http://www.coilcraft.com>



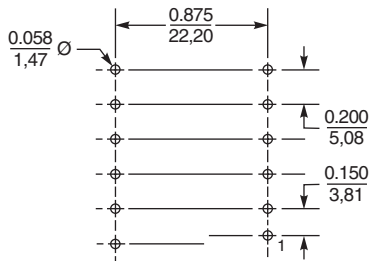
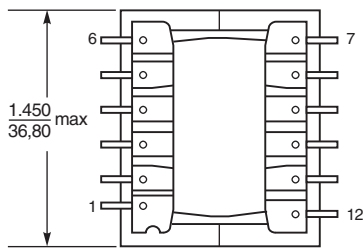
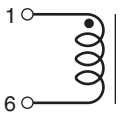
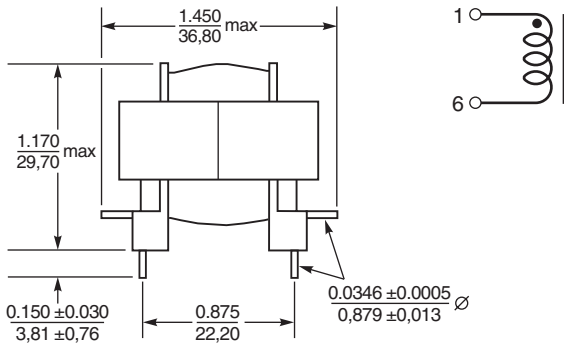
NEW!

PFC Coils for ON Semiconductor NCP1653

Typical Temperature Rise vs Current

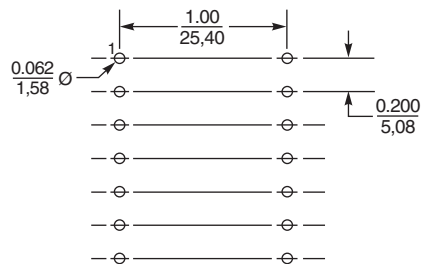
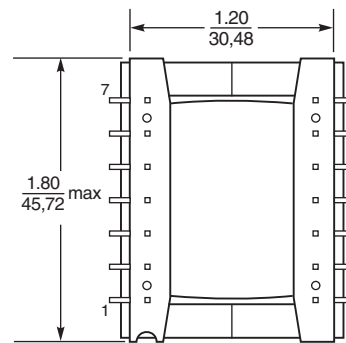
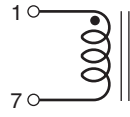
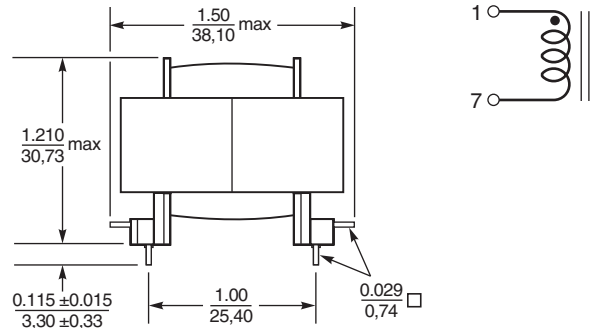


C1061-AL



**Recommended
PC Layout**

C1062-BL



**Recommended
PC Layout**

Coilcraft®

Specifications subject to change without notice.
Please check our website for latest information.

Document 444-2 Revised 08/03/07

1102 Silver Lake Road Cary, Illinois 60013 Phone 847/639-6400 Fax 847/639-1469

E-mail info@coilcraft.com Web <http://www.coilcraft.com>